

1 2 3 4 5 6 7 8 9

F

E

D

C

B

A

F

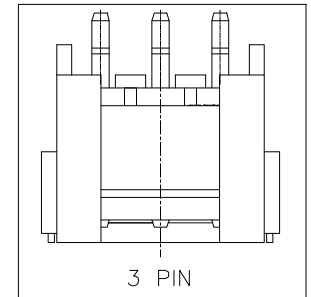
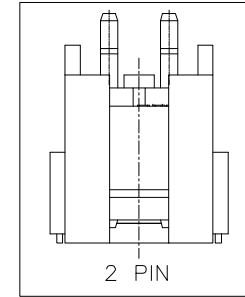
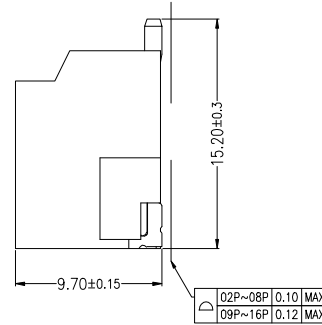
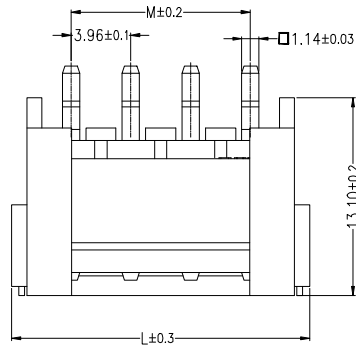
E

D

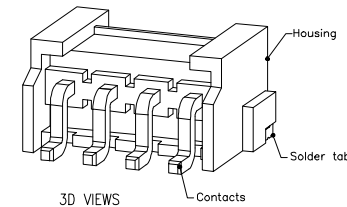
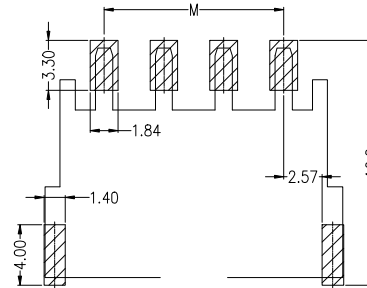
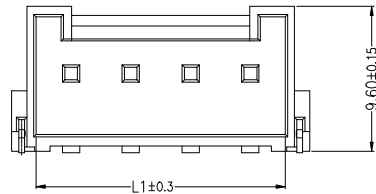
C

B

A



Specifications:  
 Contact resistance:  $\leq 20m\Omega$   
 Insulation resistance:  $\geq 1000M\Omega$   
 Rated voltage: 250V AC DC  
 Rated current: 7.0A AC DC  
 Withstand voltage: 1500V AC/minute  
 Temperature range:  $-25^{\circ}C \sim +105^{\circ}C$   
 Materials  
 Contact Material: Brass  
 Insulation Material: UL94V-0 PA9T  
 All materials must meet GREENCONN hazardous substances control standards.



### Ordering Information

G WJD101 - XX XX A 001 D X B X

No. of Pins per Row 02~08  
 Standard Plating 01=Tin

Color 5=Beige  
 Standard Packing D=T&R

No. of PIN/ROW	M	L	L1
02	3.96	11.88	8.60
03	7.92	15.84	12.56
04	11.88	19.80	16.52
05	15.84	23.76	20.48
06	19.80	27.72	24.44
07	23.76	31.68	28.40
08	27.72	35.64	32.36



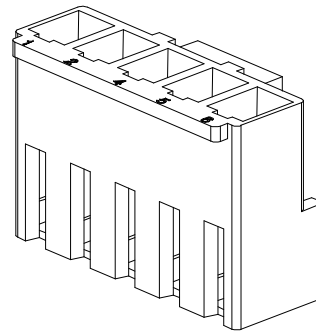
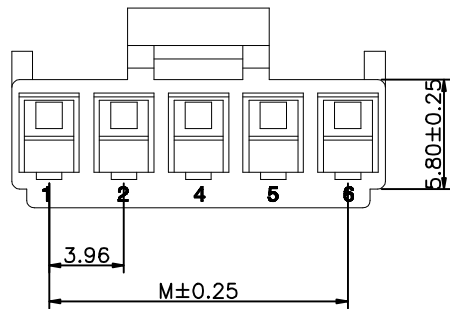
REV. A	UNIT. mm	SCALE. 1:1	3RD.ANG PROJ.  PAGE. 1/1	GENERAL TOLERANCE		DESIGNED:	DATE:	DWG. NO. GWJD101-CA001DB	TITLE. 3.96mmPITCH 90°WAFER SMT TYPE		
				X: ±5.0'	X: ±0.50					CHECKED:	DATE:
				.X' ±2.0'	.X ±0.30					APPROVED:	DATE:
				.XX' ±1.0'	.XX ±0.20			PART NO. GWJD101-XXXX A001DXBX			
				.XXX' ±/	.XXX ±/						

AQ

1 2 3 4 5 6 7 8 9

1 2 3 4 5 6 7 8 9

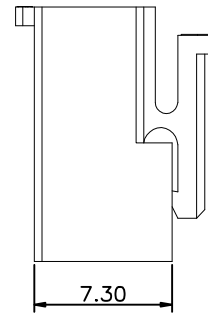
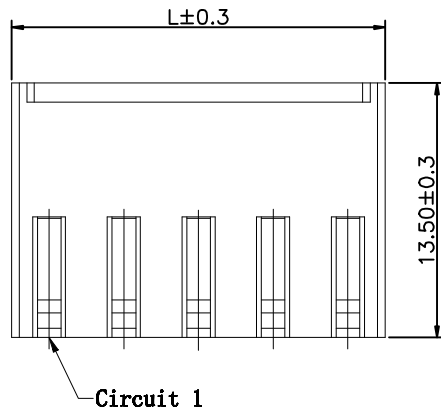
F



Specifications:  
 Contact resistance:  $\leq 20\text{m}\Omega$   
 Insulation resistance:  $\geq 1000\text{M}\Omega$   
 Rated voltage: 250V AC DC  
 Rated current: 7.0A AC DC  
 Withstand Voltage: 1500V AC/minute  
 Temperature Range:  $-25^{\circ}\text{C} \sim +105^{\circ}\text{C}$   
 All materials must meet GREENCONN hazardous substances control standards.

E

D



C

B

### Ordering Information

GWJ111 - XX A XX

No. of Pins/Row  
02~14

Material/Color  
P1=NYLON66/White

No. of PIN/ROW	M	L
02	3.96	7.92
03	7.92	11.88
04	11.88	15.84
05	15.84	19.80
06	19.80	23.76
07	23.76	27.72
08	27.72	31.68
09	31.68	35.64
10	35.64	39.60
11	39.60	43.56
12	43.56	47.52
13	47.52	51.48
14	51.48	55.44

A

 Website: www.greenconn.com E-mail: sales@greenconn.com	3RD.ANG PROJ.	GENERAL TOLERANCE		DESIGNED:	DATE:	DWG. NO. GWJ111-HA	TITLE. 3.96 mm PITCH Housing
	 PAGE. 1/1	X: $\pm 5.0'$	X: $\pm 0.50$				
REV. A	UNIT. mm	SCALE. 1:1	.X: $\pm 2.0'$	.X: $\pm 0.30$	APPROVED:	DATE:	
			.XX: $\pm 1.0'$	.XX: $\pm 0.25$			
			.XXX: $\pm /$	.XXX: $\pm /$			

AQ

1 2 3 4 5 6 7 8 9

1 2 3 4 5 6 7 8 9

F

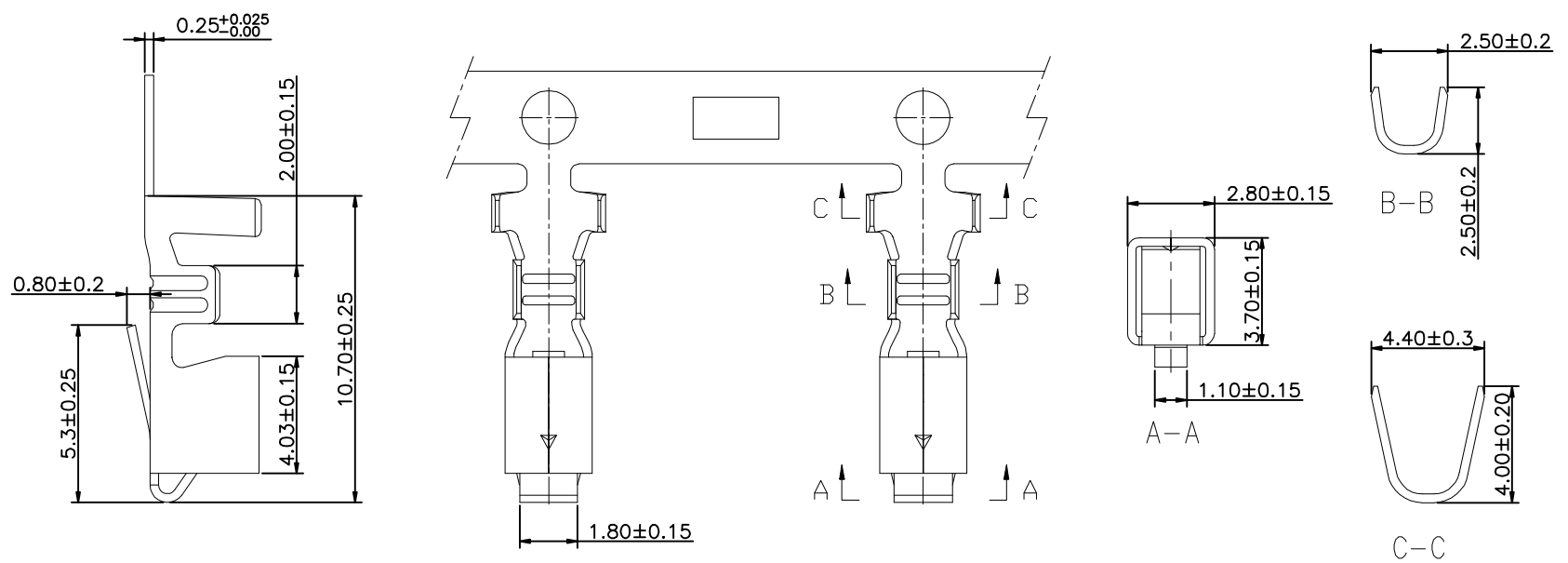
E

D

C

B

A



### Ordering Information

GRJ108 - 01 XX XX

Standard Plating  
01=Tin

Material  
AB=Phosphor bronze

Wire Range	Insulation O.D.	Material	Finish
AWG #22~#18	3.00mm(MAX)	Phosphor bronze	Sn-plated

**Greenconn**  
 Website: www.greenconn.com  
 E-mail: sales@greenconn.com

3RD.ANG  
PROJ.  
  
PAGE. 1/1

GENERAL TOLERANCE	
X. ±5.0'	X. ±0.50
.X ±2.0'	.X ±0.30
.XX ±1.0'	.XX ±0.25
.XXX ±/	.XXX ±/

DESIGNED:	DATE:
CHECKED:	DATE:
APPROVED:	DATE:

DWG. NO.  
GRJ108-T1  
 PART NO.  
GRJ108-0101AB

TITLE.  
3.96 mm PITCH

AQ

1 2 3 4 5 6 7 8 9

F

E

D

C

B

A